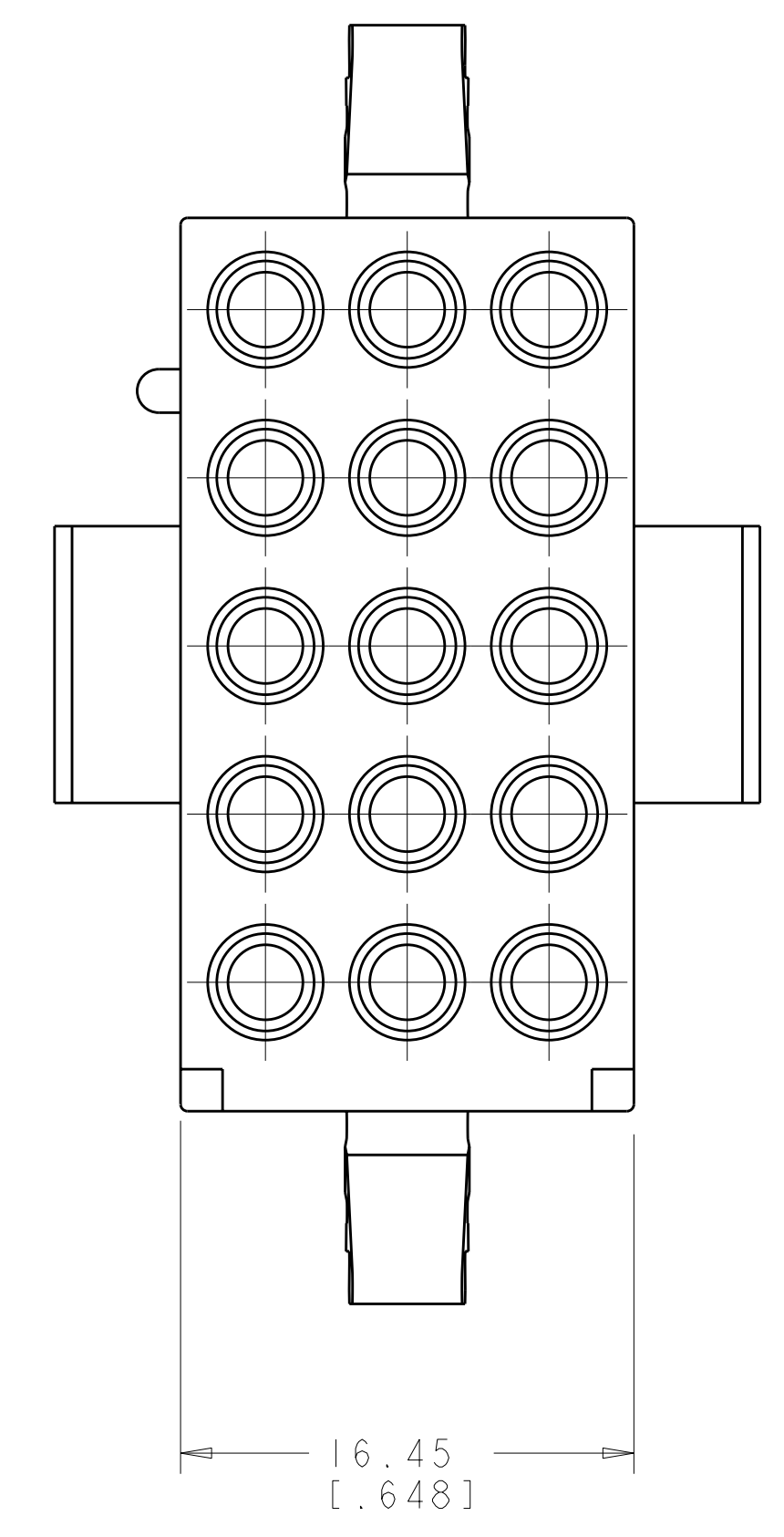
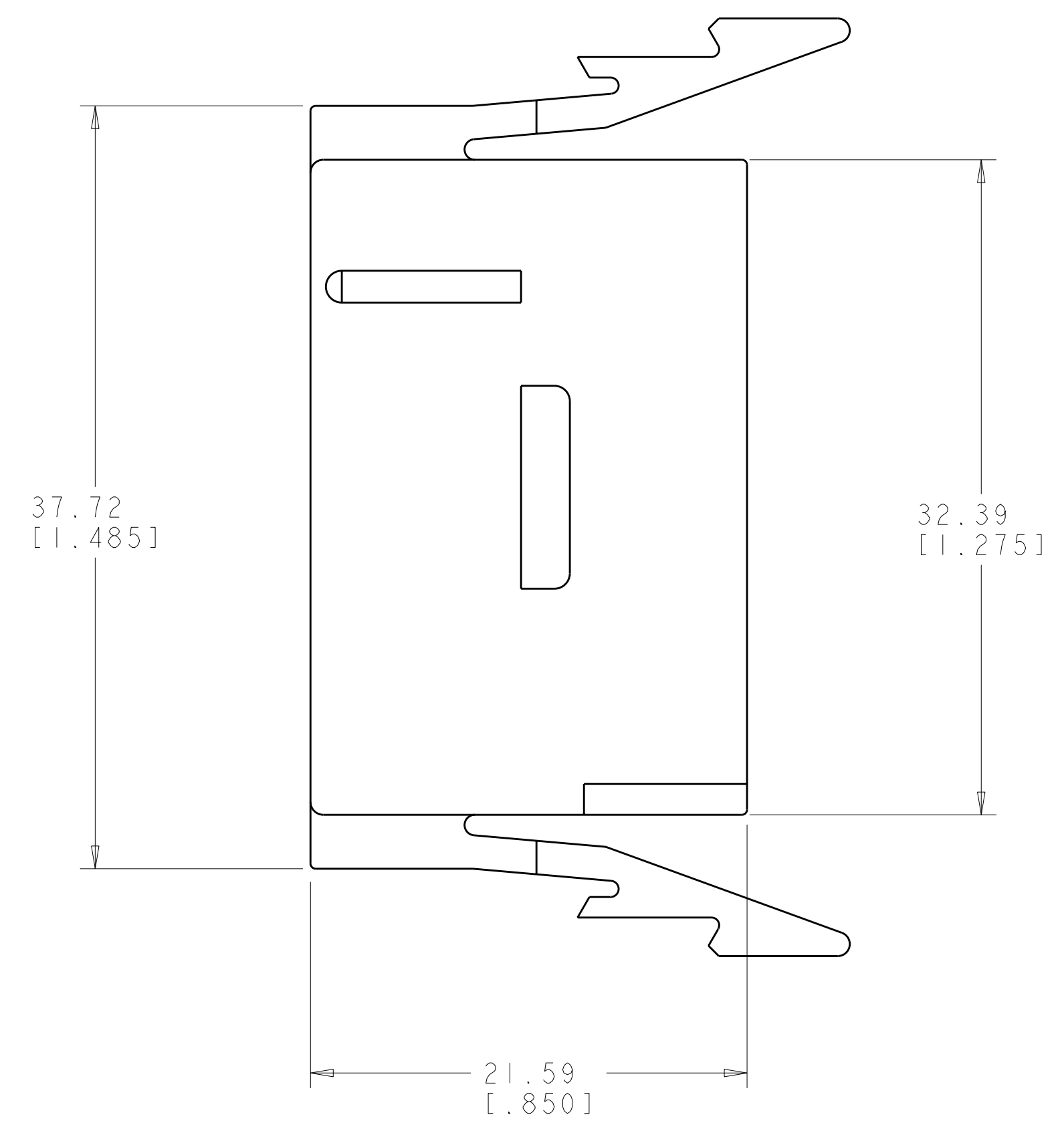
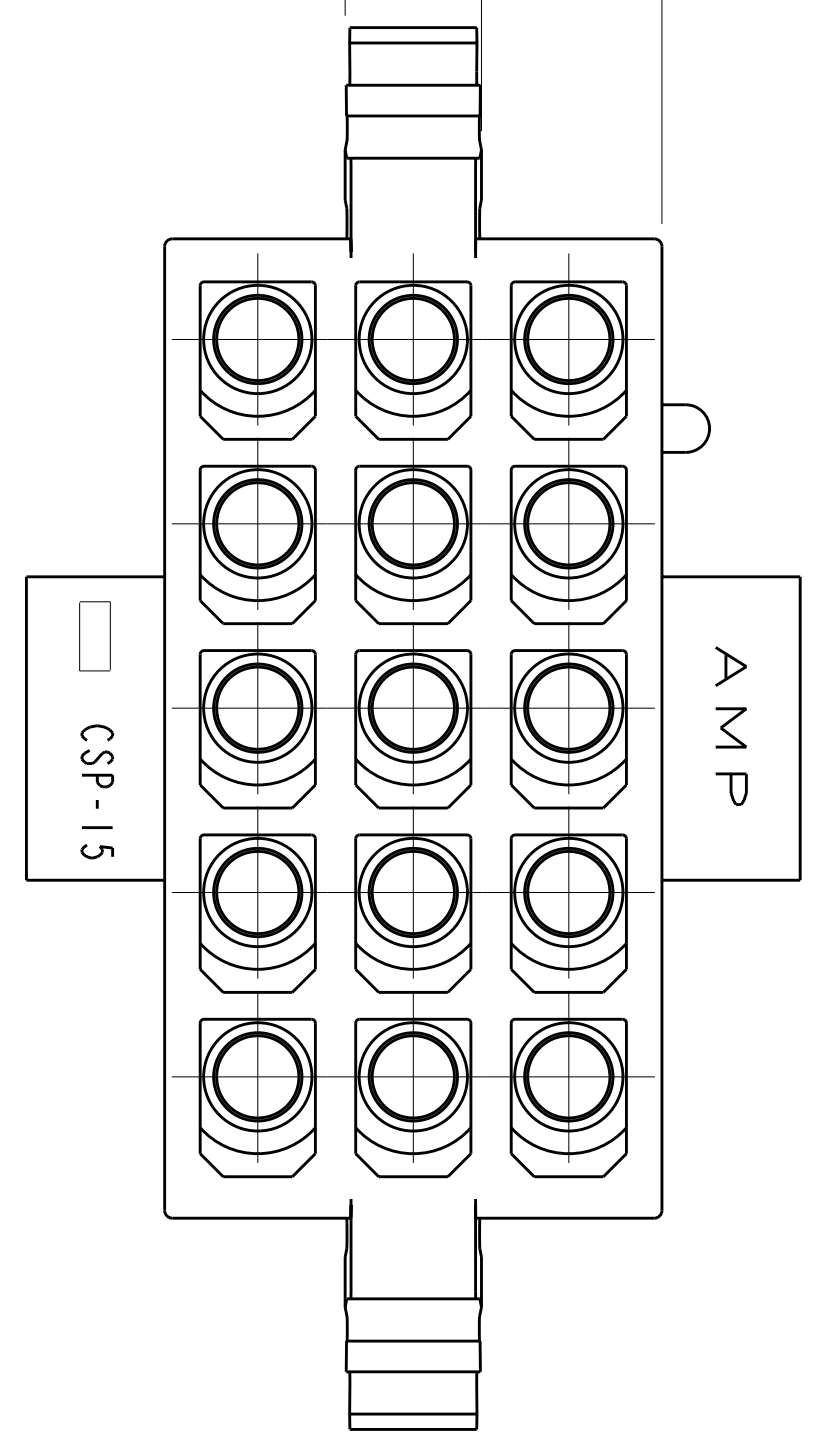


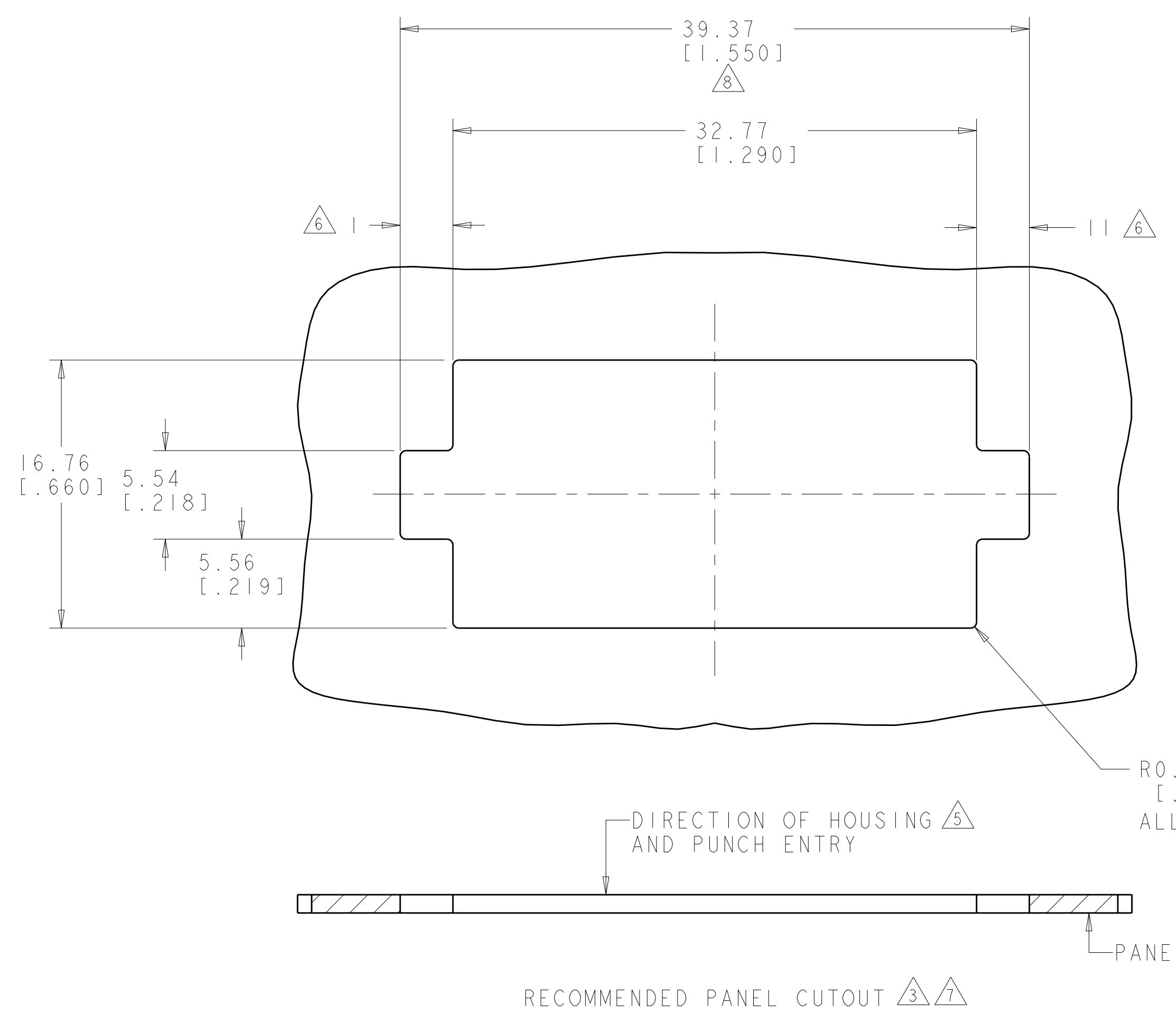
LOC	DIST	REV	DESCRIPTION	DATE	DWN	APVD
CM	00	V	ECO-08-004524	25FEB2008	KW	CC

4.45-4.57
[.175-.180]

5.97
[.235]



1. TO BE USED WITH COMMERCIAL MATE-N-LOK™ SOCKETS.
2. THIS PLUG TO BE USED WITH CAP 480324.
3. RECOMMENDED PANEL THICKNESS 0.64-1.65 [.025-.065].
4. BOTH LOCKING LEGS TO BE SQUEEZED TOGETHER AND HOUSING TO BE INSERTED STRAIGHT IN AS OPPOSED TO A ROCKING MANNER.
5. PANEL MUST BE PUNCHED SO THAT THE HOUSING ENTERS IN THE SAME DIRECTION AS THE PUNCH.
6. DIMENSIONS I & II TO BE EQUAL WITHIN 0.13 [.005].
7. PANEL MUST NOT HAVE ANY MATERIAL (PAINT, PORCELAIN, ETC.) APPLIED IN THE MOUNTING HOLE AREA THAT WOULD DECREASE RETENTION OF THE HOUSING IN THE PANEL.
8. IF NOTES 3 AND/OR 5 ARE NOT COMPLIED WITH THE 39.37 [1.550] DIMENSION SHOULD BE REDUCED TO 38.86 [1.530] TO ASSURE PROPER HOUSING RETENTION IN THE PANEL.



0.453 IN ³	1-480323-0
VOLUME	PART NUMBER

DIMENSIONS: mm [INCHES]		TOLERANCES UNLESS OTHERWISE SPECIFIED: 0 PLC ± 1 PLC ± 2 PLC ±0.13 [1.005] 3 PLC ± 4 PLC ± 5 PLC ±		DWN R. WHITAKER 25FEB2008 CHK C. CASH 25FEB2008 APVD C. CASH 25FEB2008	
FINISH: 40° 30'		PRODUCT SPEC:		NAME: Tyco Electronics Tyco Electronics Harrisburg, PA 17105-3608	
MATERIAL:		APPLICATION SPEC:		SIZE: CAGE CODE: DRAWING NO: A100779C=480323	
CUSTOMER DRAWING		WEIGHT:		RESTRICTED TO:	
SCALE: 4:1		SHEET: 1 OF 1		REV: V	

